

PART #882 1955 - 1956 Horn Kit & Directional Signal Assembly

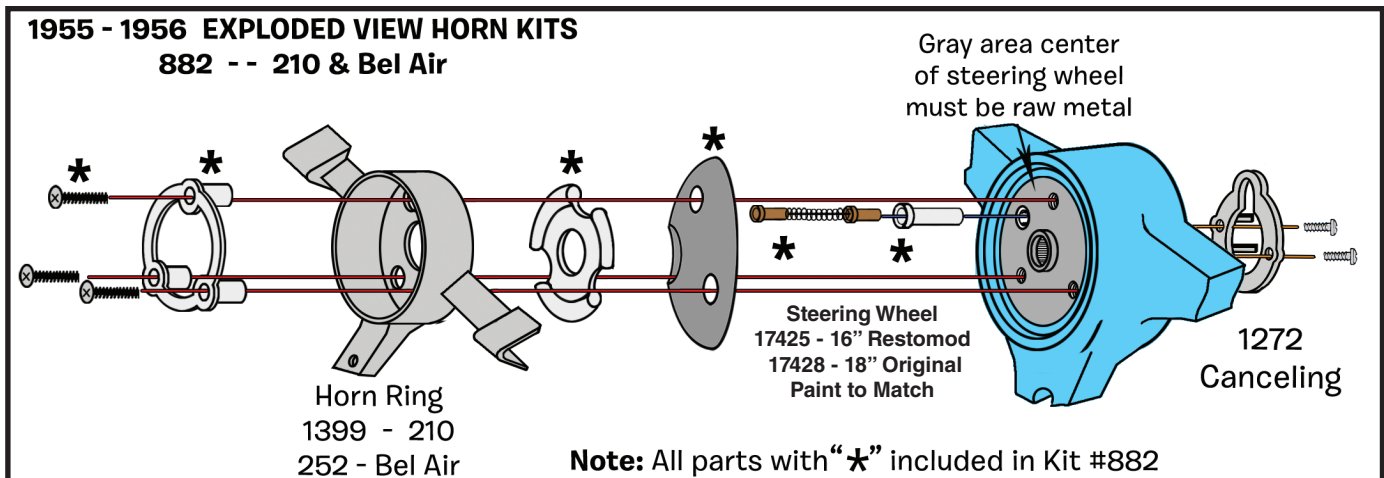


Instruction Sheet Master

Revised 1/2019

Installation Instructions:

1. Disconnect battery ground terminal.
2. If steering wheel has been refinished make sure center area (see shaded area in diagram) of steering wheel is not painted. This will cause the horns not to function.
3. Insert the nylon bushing and spring contact into hole in steering wheel.
4. Insert the concaved metal spring into place. The spring edges will rest against next to the raw metal center area of steering wheel.
5. Place the plastic spacer on top of concaved spring.
6. Place the horn ring #1399 (210) #252 (Bel Air Models) against plastic spacer.
7. Insert the plastic ring with three pedestals through the holes on the horn ring, plastic spacer and concaved spring. Install the three screws through the ring and snug them down (do not over tighten this could crack the plastic ring).
8. Re-Connect battery ground.



1955 - 1956 Exploded View Directional Signal

Danchuk Tech Manual 55	
F.O.A 100	Sheet 2.01

