

PART # - 697 698 Rocker Panel Moulding and Clips

Instruction Sheet

Revised 8/2010



697 - Rocker
Panel Mouldings
with Clips
(1 pair per car)

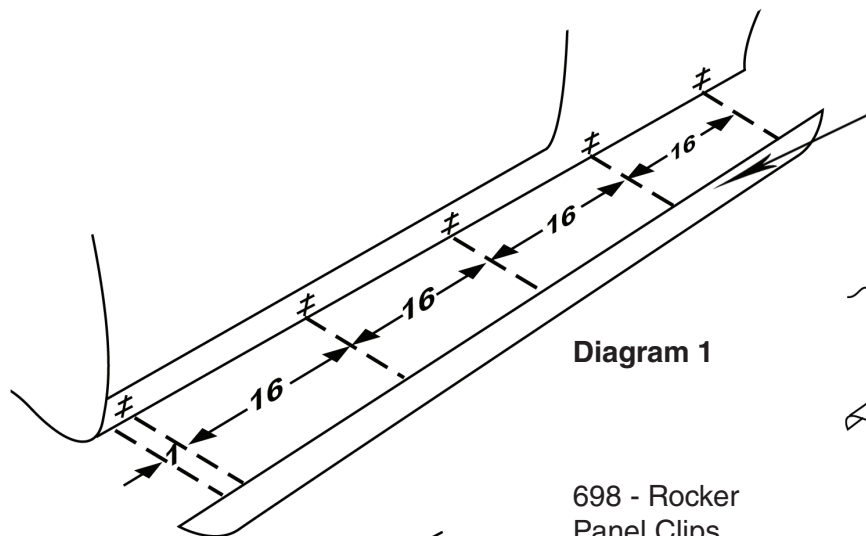


Diagram 1

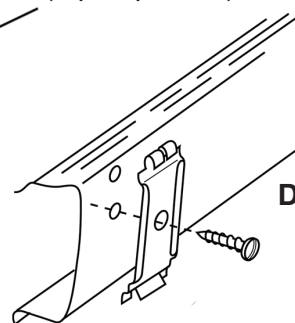


Diagram 3

698 - Rocker
Panel Clips
(1 set per car)

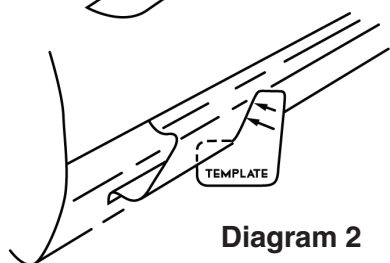


Diagram 2

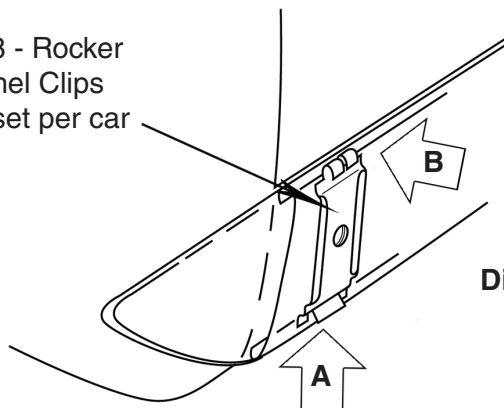
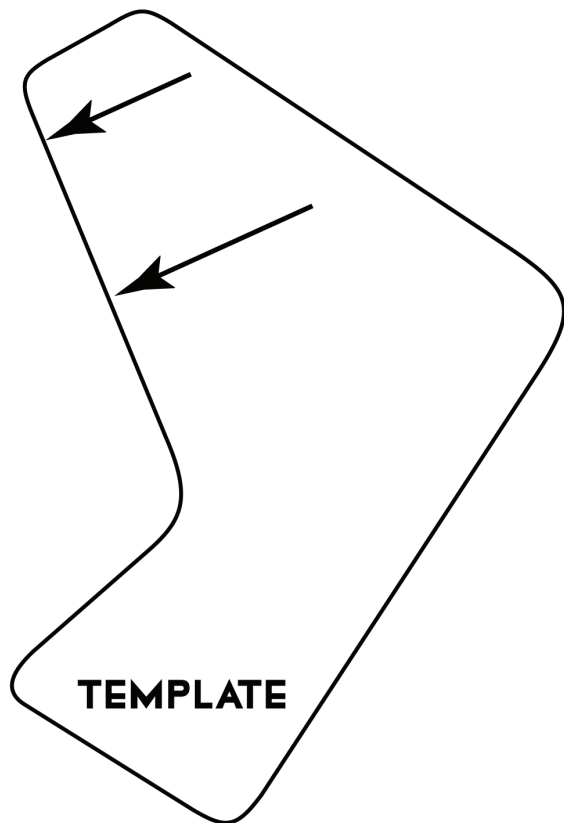


Diagram 4



1. Mark hole locations as shown in diagram 1.
Start with forward hole 1" to the rear of the rocker panel and fender joint. The mark the next 4 holes at 16" apart from each other. (SEE NOTE BELOW)
2. Using template, mark the holes to be drilled.
Center-punch the marked hole centers and drill the 10 holes with a 9/64" bit or 29 drill bit.
3. Install moulding clips as shown in diagram 3.
4. Slip the lower edge of the rocker moulding (see A in Diagram 4) then snap upper lip of moulding over top of clip (see B in diagram 4.)
7. Repeat the above steps on opposite side of the car.

NOTE: When gravel shields part #720A are being used, install the gravel shields first then install rocker moulding next to them.