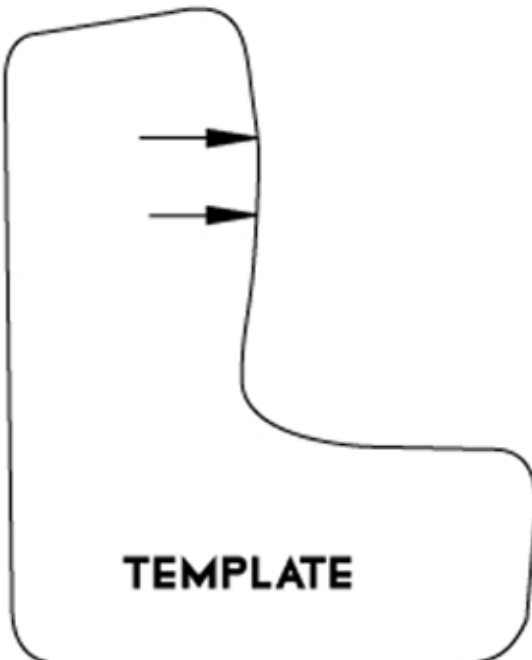
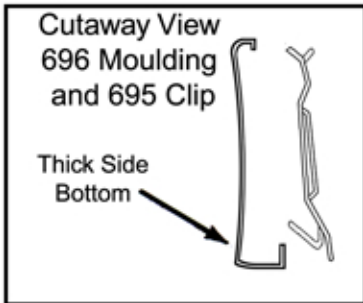
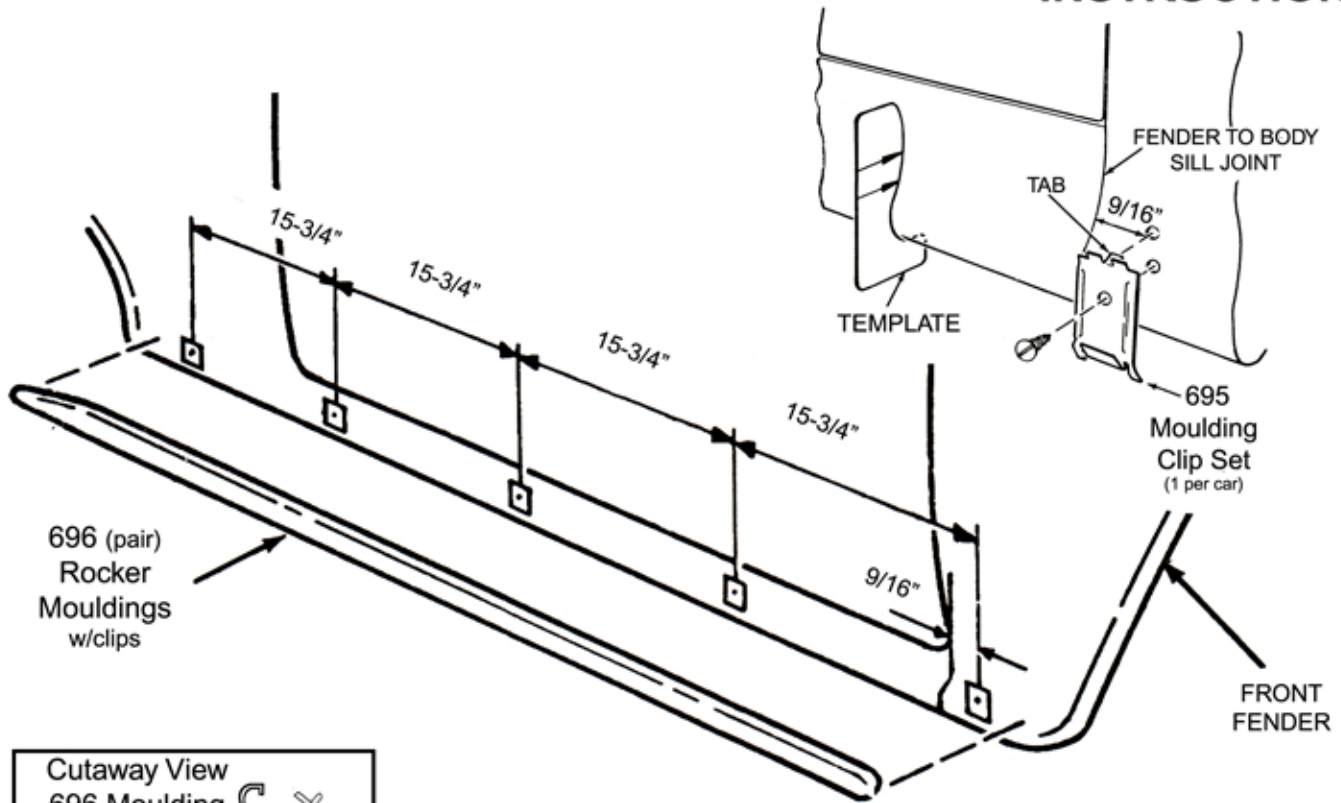




# Rocker Panel Moulding and Clips

## INSTRUCTIONS



1. Fit the edge of the template against bottom edge of the body sill, 9/16" forward front fender to body sill joint, and mark off the two hole centers as indicated on the template.
2. Center-punch the marked hole centers, and drill with a 29 drill, drill two .136 diameter holes.
3. Locate the template 15-3/4" rearward from the drilled holes, marks the two hole centers, center-punch, and drill the two holes.
4. Repeat #3, spacing the remaining holes 15-3/4" apart, until you have five set of two holes drilled.
5. Secure the moulding clips to the body sill, with the upper tab in the upper drilled hole, and the clip is fastened through the lower hole with a 3/8" tapping screw.
6. Slip the top edge of the rocker moulding(see cutaway view) over the clips, and snap down into place.
7. Repeat the above steps on opposite side of car.