

PART # 14222 - - 1956 - 57

Headlight Retaining Ring

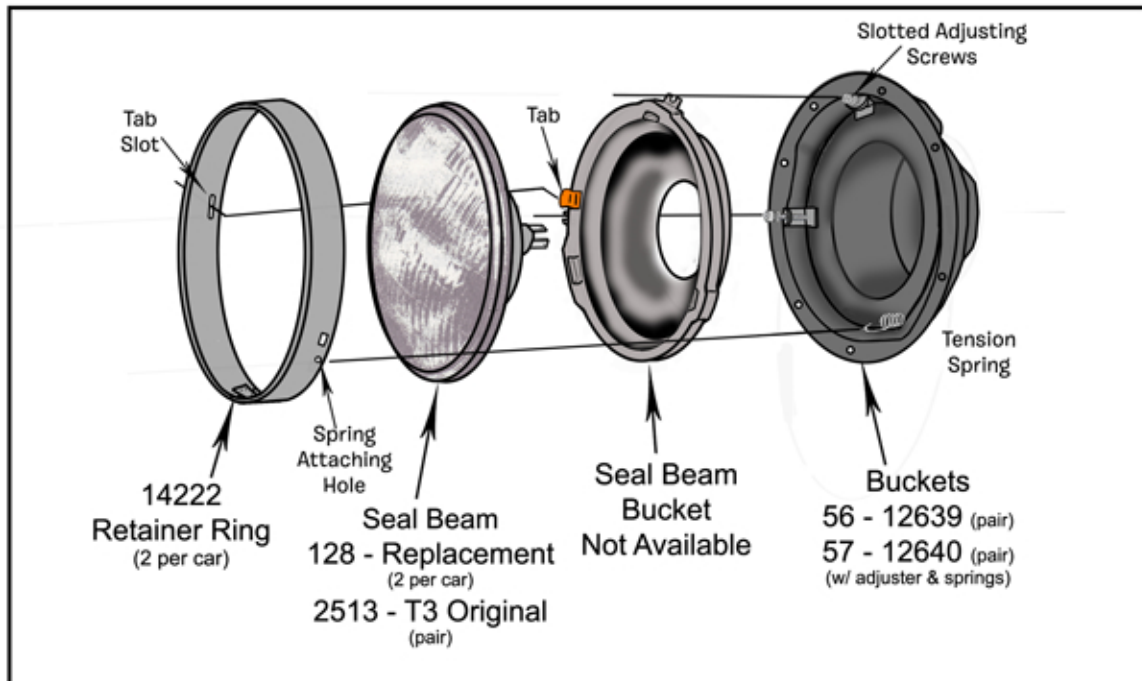
Instruction Sheet

Revised 2/2011



“14222 Headlight Retaining Ring”

These stainless retaining ring fit either Driver or Passenger Side on all 56 and 57 Models. They fit around the Seal Beam and it attaches the Seal Beam Bucket by a small tab on the Seal Beam Bucket. The seal beam bucket has two slotted tabs that slide the two adjusting studs in the Headlight Bucket. After sliding Seal Beam Bucket into the adjusting screws, stretch the Hook end of the Spring in Headlight Bucket and hook it into small hole in side of the Headlight Retaining Ring. Reinstall your Headlight Bezels. NOTE: Be sure to check that your rings were held to seal beam bucket with two screws and spring. Through the years we have found the 55 Style Seal Beam Assemblies installed in 56 and 57s. The 55 style is held in by two Screws in the Retaining Ring and the Spring, see 16030 Retaining Ring if this is the case.



Related Items

- 865 - Headlight Bucket to Body Seal (pair)
- 835 - Bucket Wire Grommet (1956 pair)
- 1739 - Bucket Wire Grommet (1957 pair)
- 1155 - Adjustment Spring (1 set per car)
- 1154 - Adjustment Screws (1 set per car)
- 12233 - Adjustment Screws and Nylon Inserts (1 set per car)