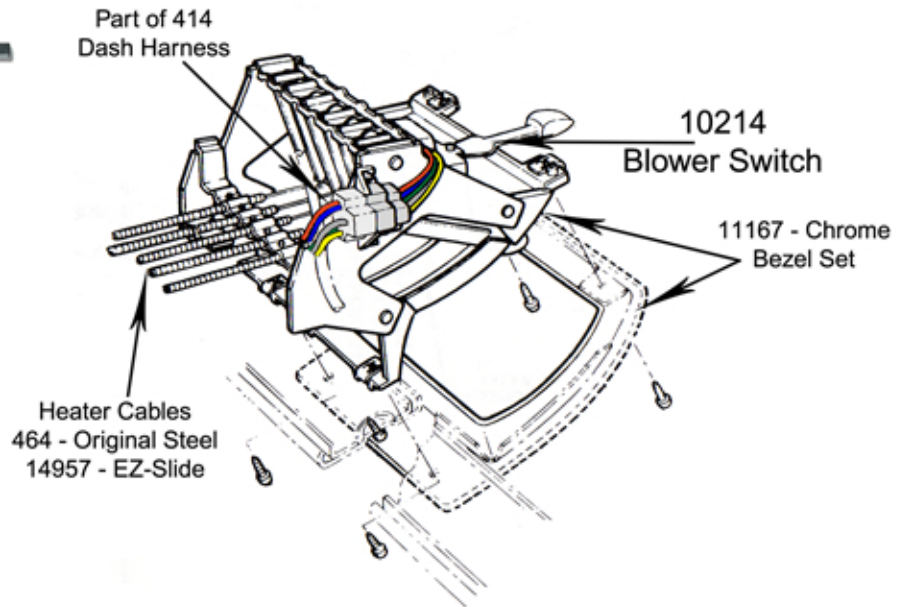
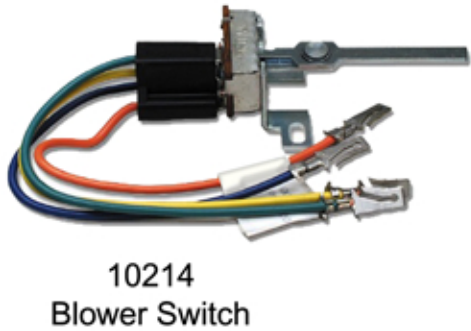


Deluxe Blower Switch



• Installation Instructions

1. Remove the two mounting screws for the blower switch.
2. Carefully unplug the switch connector from the factory harness, being careful not to break the plastic mount tabs on the connector.

Note: The color code of the factory harness and original blower switch differ. The color code of this replacement switch will match with the factory harness. On some factory harnesses the power wire may be brown, instead of blue.

3. Remove wire spades from the connector and discard old switch.
4. Using new switch, insert new switch spades into original factory connector diagram.
5. The wire colors on the mating factory harness should match with the new switch.

