

## Deluxe Blower Switch

### • Installation Instructions

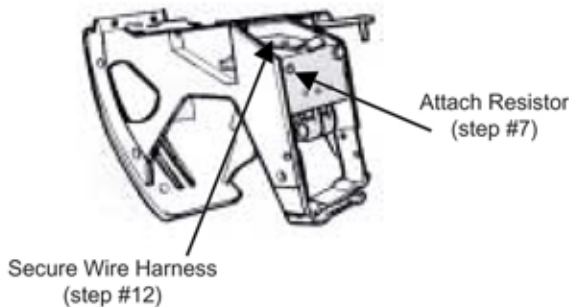
1. Attach the 90-degree connector on the blue wire to the switch terminal marked 2 (power in).
2. Attach the 90-degree connector on the orange wire to the switch terminal marked 3 (high speed).
3. Attach the straight yellow connector to the center terminal on the switch (low speed).
4. Attach the remaining connector on the red wire to the terminal on the switch marked 1 (medium speed).

**Caution:** Be sure the switch terminals are all the way in the connectors, and not between the rubber insulation and connector.

5. Use two larger screws in the kit to attach the new switch in the stock location.

### • Diagram #1

Controls without the plastic connector on the rear. (Step 6-7)



6. Align the resistor on the rear of control as illustrated in Diagram #1.

7. Center-punch and drill, two 1/8" holes on the rear of the control. Attach with the two small hex screws supplied.

### • All Controls

8. Route the remaining 90-degree connector on the red wire to the center terminal of the resistor.
9. Attach the 90-degree orange and yellow wires to the two remaining outside terminals on the resistor.

**Note:** It does not matter which color is on which side, as long as the red is on the center.

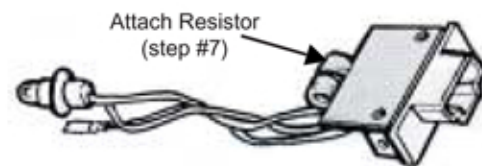
10. Connect the blue wire to the power in from the fuse panel.

11. Connect the remaining orange wire to the factory wire which routes to the blower motor.

12. Secure the harness to upper cable bracket at rear of control with the pull-tie supplied to prevent the upper control lever from damaging wires. (Diagram #1)

### • Diagram #2

Controls with the plastic connector on the rear. (Step 6-7a)



6. Remove the plastic connector from control and align the resistor on the plastic connector, as illustrated in Diagram #2

7. Drill two 1/8" holes on the plastic connector and attach the resistor with the two small hex screws supplied.

- 7a. Remove the two male connectors from the harness supplied and crimp on the two female connectors supplied. Pull firmly on each connector to test the crimp.