

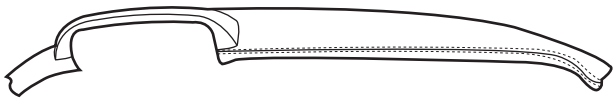
Dash Pad Installation Guide

A professional is recomened for all TMI Products installs



TOOLS REQUIRED:
1. SCREW DRIVER

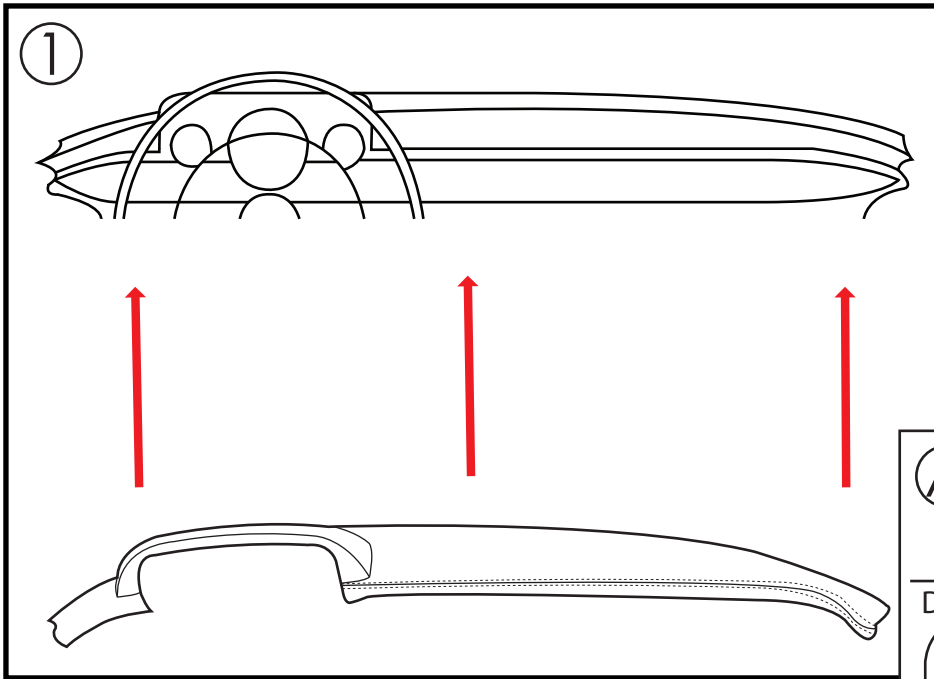
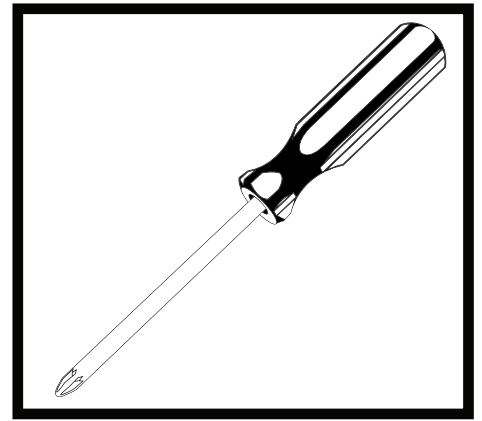
PARTS:



TMI PRODUCTS DASH PAD



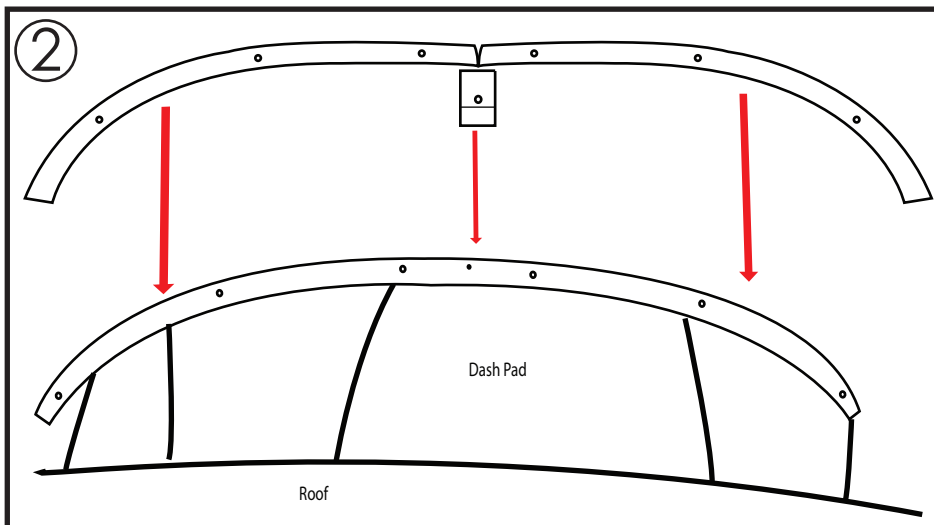
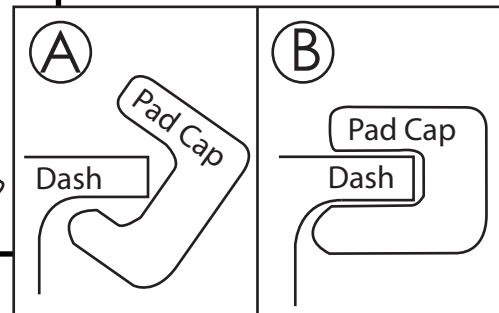
Dash Trim Screws



Step 1: The TMI Products dash pad cap will roll hinge under the Front of your dash. Then dash pad cap will slide nearly all the way to the windshield.

Below is a side view of the dash pad cap sliding on note that it will have to "Hook" under dash.

Note: This will leave you with enough room to see the factory dash trim screw holes.



Step 2: The TMI Products dash pad uses the lower windshield trim chrome to hold it the dash in place. Simply install it using the factory dash trim screws. The two outer panels install first then smaller middle piece over the top where the two meet.