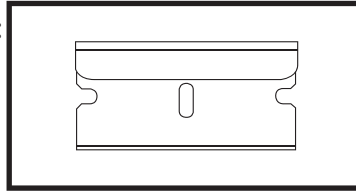


Dash Pad Installation Guide

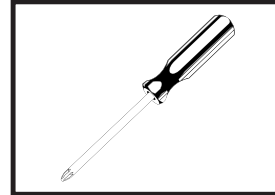
A professional is recomened for all TMI Products installs



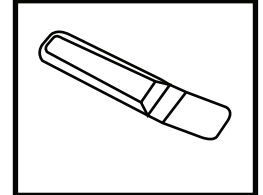
Tools needed:



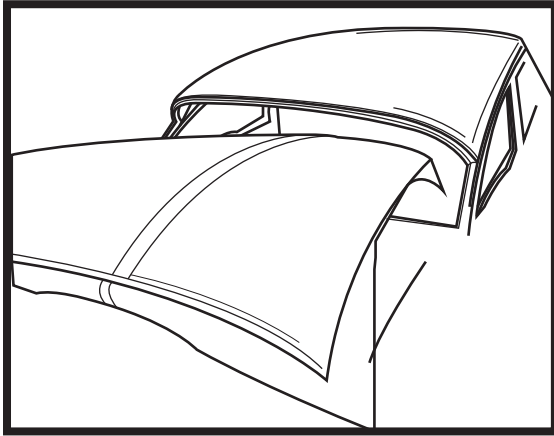
RAZOR BLADE



PHILLIPS SCREWDRIVER

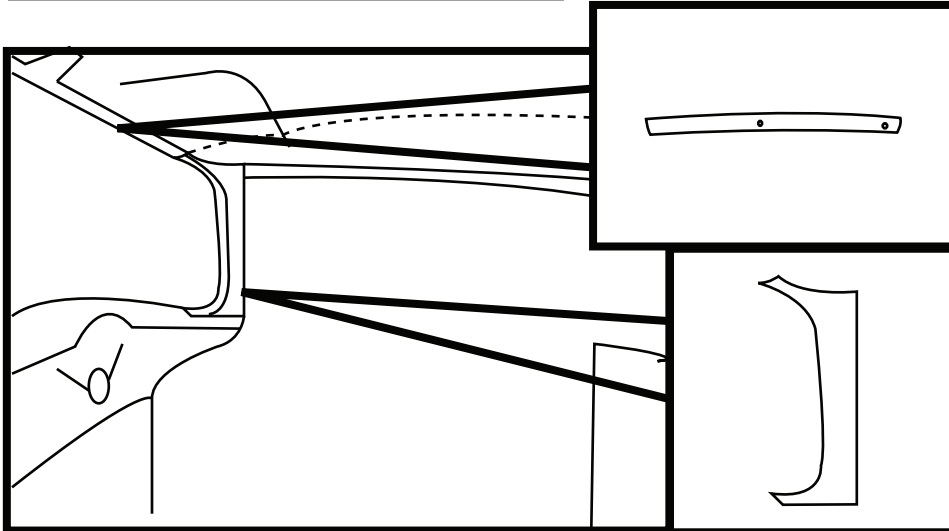


TUCK TOOL

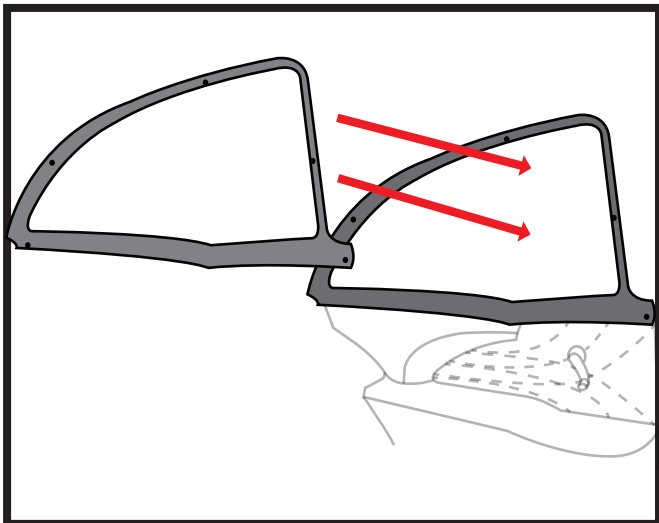


**\*\*NOTE: All headliner trim and rear glass must be removed prior to installation\*\***

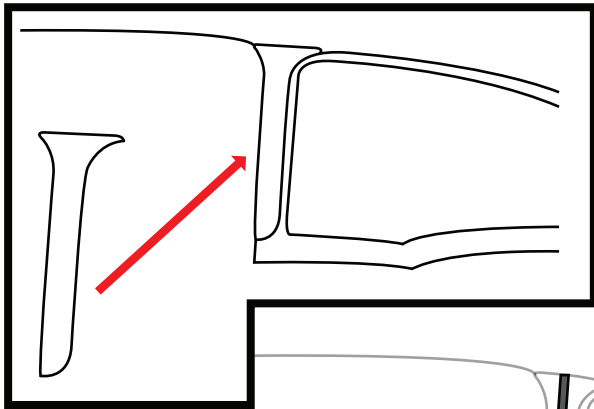
Step 1: The headliner goes directly through the rear window opening. You will need help getting the headliner in the car and installing it. Make sure you have the headliner centered while preforming all of the following steps.



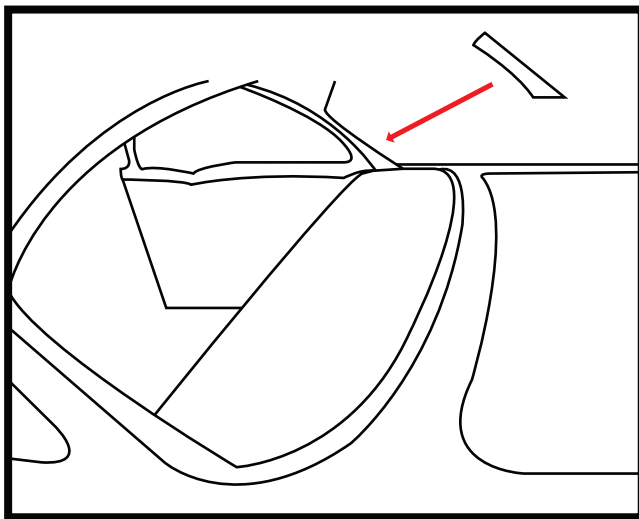
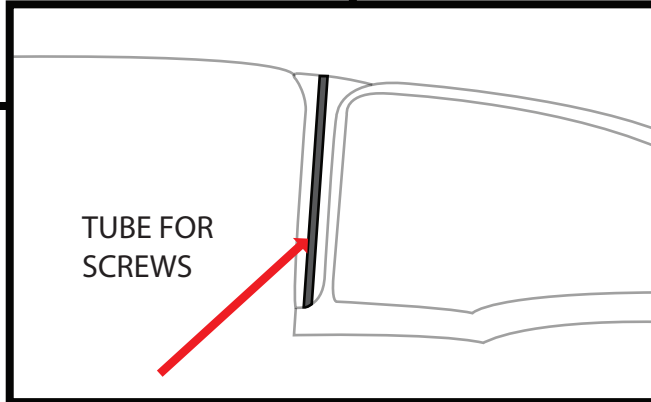
Step 2: Re-Installing the rear front A-pillar and top headliner chrome will hold the the front of the headliner up into place. These four front trim pieces re-install just like factory. Some trimming of material may be necessary so that vinyl is not sticking out from behind the trim pieces. You fasten these all the way down.



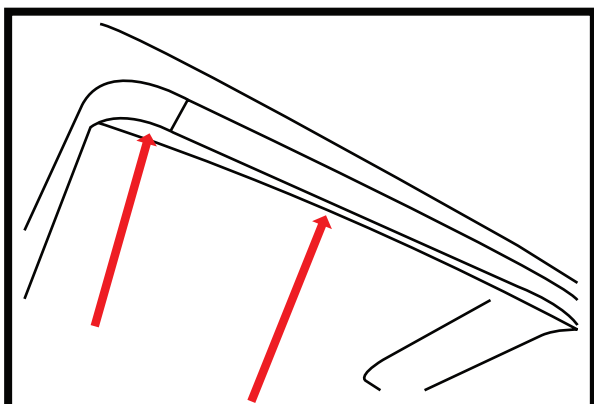
Step 3: Re-Install the quarter window trim. This will hold up the rear and sides of the headliner. Some trimming of material may be necessary so that vinyl is not sticking out from trim pieces. Do not tighten this trim piece all the way down as there is still B and C pillar pieces that need to be installed.



Step 4: The B-pillar post coverings will require some drilling. These will sit behind the quarter window trim piece. You will drill into the B-pillar "TUBE". Pre-Fit the B-Pillar post covering. Note the two holes on the covering to mark locations of where to drill. once the locations are marked you can drill, Install post covering, and fasten with screws.



Step 5: Installing the C pillar covering. This covering goes between the rear window lip and the rests behind the quarter window trim piece. Once this covering is in you can fully tighten down the rear quarter glass trim piece. During this step you can final trim and glue the excess material of the headliner and C-Pillar into the rear window channel much like a factory headliner. For 55 and 57 cars this is also the time to re-install the rear window trim. it goes in just as factory and follows the perimeter of the window stopping at the package tray.



Step 6: Above the door jam you will have raw headliner material that will need to be trimmed and glued into the factory gab designed for headliners. In order to tuck the excess material in you will need to use a headliner tuck tool.

Step 7: Now that the headliner and pillar coverings are installed you can now install sunvisors, rearview mirrors, and dome lights as they will go in similar to factory.