



## **Driver and Passenger Side Tri-Five Mirror Instructions**

**These instructions will work for any mirror that uses an original style mirror base. Danchuk part numbers are...**

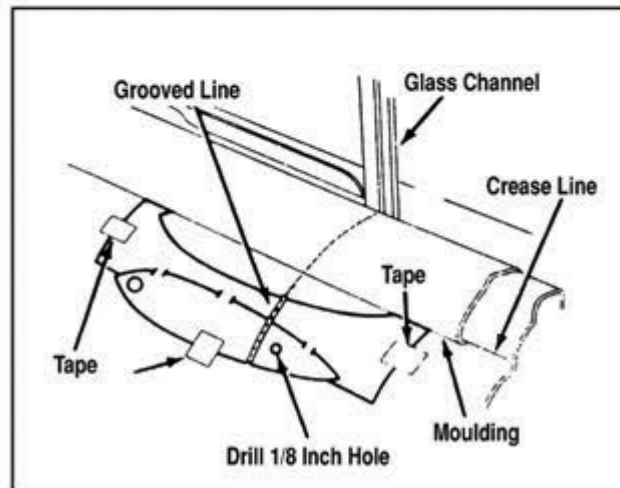
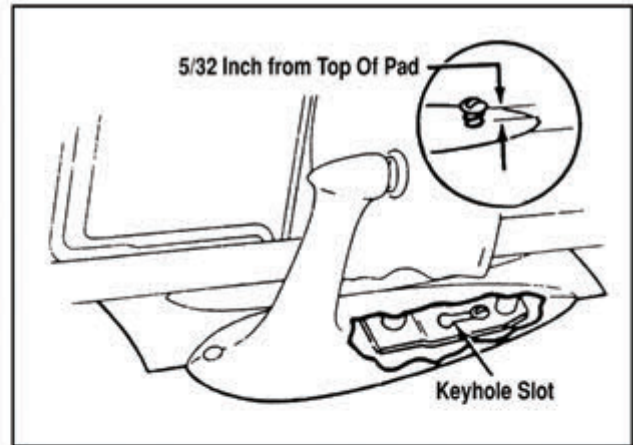
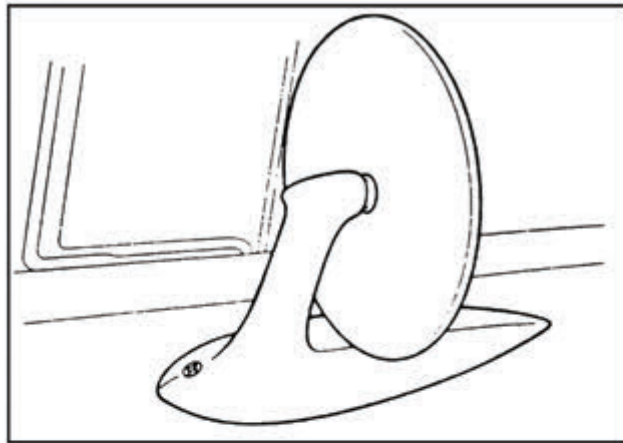
<b>531 - Danchuk 1955-1957 Chevy Outside Rear View Mirror</b>
<b>16743 - 1955-1957 Chevy Outside Rear View Mirror (Import)</b>
<b>16820 - 1955-1957 Chevy Outside Rear View Mirror w/ Wide Angle Lens, Passenger Side</b>
<b>16993 - 1955-1957 Chevy Outside Rear View Mirror w/ 9 LED Turn Signal Arrow</b>
<b>17589 - 1955-1957 Chevy Outside Wide Angle Rear View Mirror w/ 9 LED Turn Signal Arrow</b>
<b>19134 - 1955-1957 Chevy Outside Rear View Mirrors w/ 9 LED Turn Signal, Pair, Flat Driver Side, Convex Passenger Side</b>

**Please note that when installing the rear view mirror on the passenger side you should move the template back 1" to get a clear view as noted in The Fisher Service News. It is best to determine the exact position while sitting in the driver seat.**

# Outside Rear View Mirrors

## *Instruction Sheet Master*

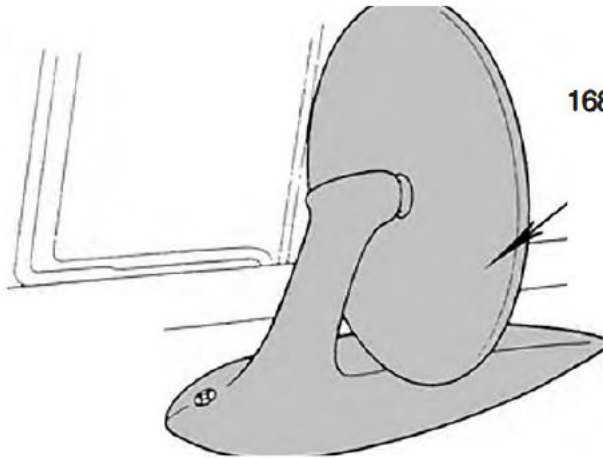
Revised 8/2018



1. Position template against the door belt molding or corresponding crease line.
  2. Line up the perforated lines with the vent glass assembly (see image 2) tape template in place.
  3. Center punch door panel, through the 1/8 inch hole in the template.
  4. Remove template and drill 1/8 inch hole.
  5. Reattach template with tape and align drilled hole.
  6. Drive the 5/8 inch self-tapping screw through the 1/8 inch drilled hole, until the screw head is 5/32 above the surface of the template.
  7. Fit the mirror base on the template, so the raised screw head aligns with round end of the keyhole slot in the retaining bracket.
  8. Slide mirror forward until tight against the template and fitting the indicated outline of the template.
- Hold the front of the mirror base firmly against the template, using the hole in the base as guide drill a 1/8 inch hole through the door panel.
  - Take off mirror unscrew rear screw, remove template.
  - Using mirror gasket, align over mounting holes, re-drive rear screw in 1/8 inch hole (refer to instruction note #6).
  - Reinstall mirror on gasket aligning screw with retaining bracket and sliding mirror forward until mirror is tight against gasket and aligning front mounting hole with mirror base.
  - Finish install and drive the 3/4 inch trim screw provided until tight.
  - Adjust and drive.
  - **See below for modifications for passenger side mirror installations.**



# FACTORY STYLE OUTSIDE REAR VIEW MIRROR

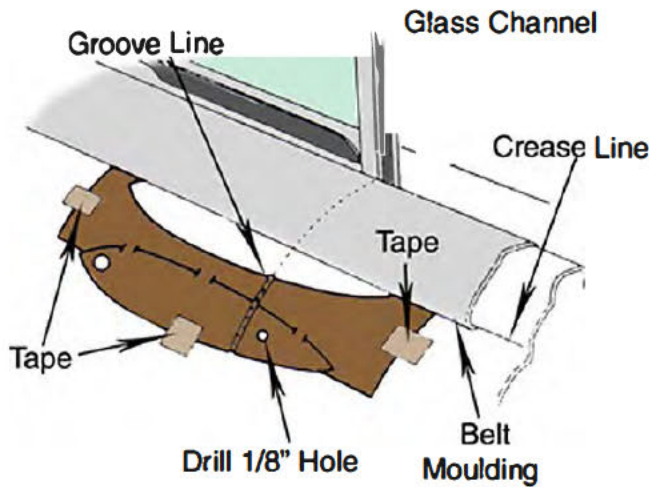


## Outside Mirror

- 531 - Factory Drive/Passenger
- 16820 - Custom Passenger w/ Wide Angle Glass

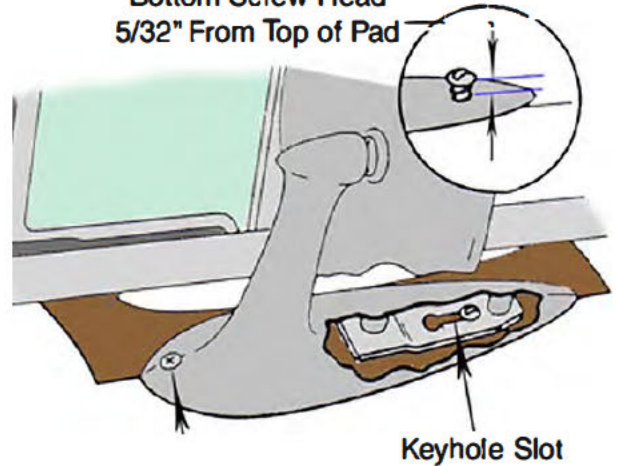
531 and 16993 - Mirrors will fit on both Driver and Passenger Door (Passenger side may need to be moved back approximately 1" for clear visibility see Opt on Mirror Template Diagram below)

## Mirror Template Driver Side



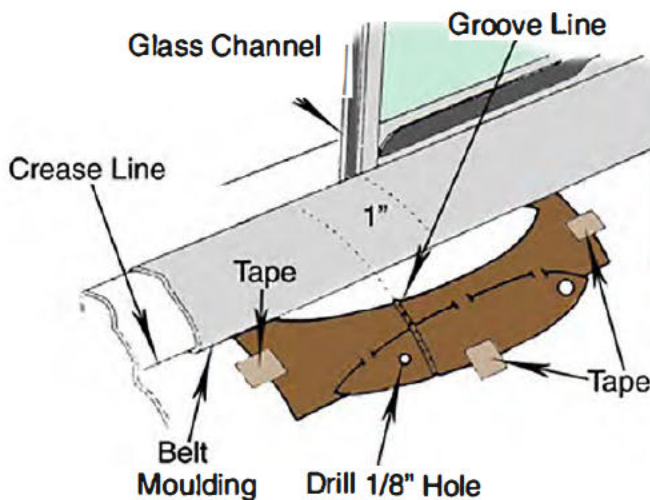
## Mirror Installation

Bottom Screw Head  
5/32" From Top of Pad



Drill 1/8" Hole After Mirror has been slid into place and install screw

## Optional Mirror Template Passenger Side



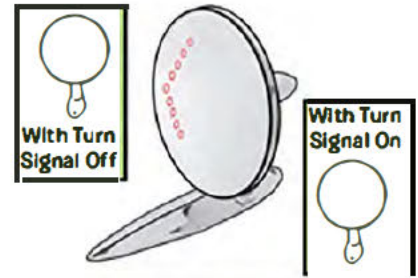
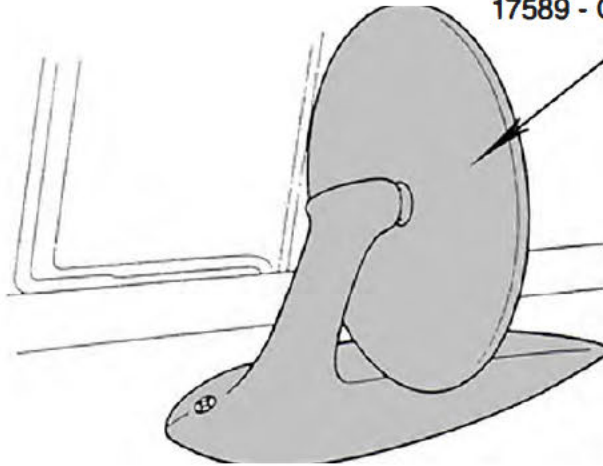
**On Passenger Side Mirror Only**  
Location of template is shown moved back 1" to get a clear view of Mirror Head. This was noted in Fisher News Letters. It is best to adjust position mirror when the Driver seated in Seat.



# OUTSIDE REAR VIEW MIRROR WITH LED TURN SIGNALS

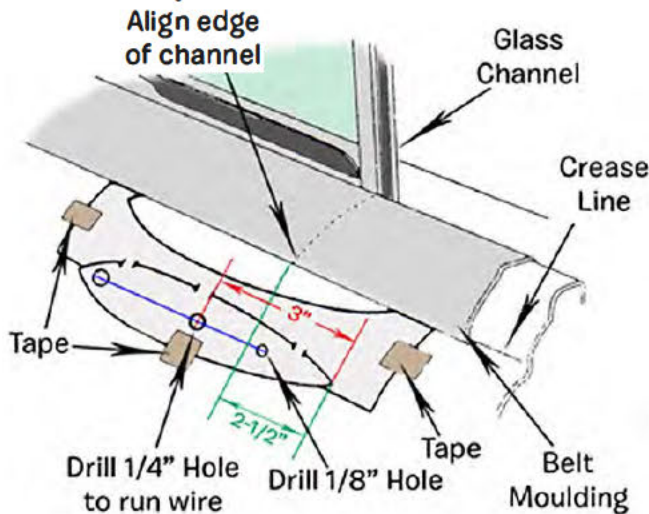
## Outside Mirror w/ LED

- 16993 - Custom w/LED Turn Signal - Driver/Passenger
- 17589 - Custom Passenger Wide Angle w/LED Turn Signal

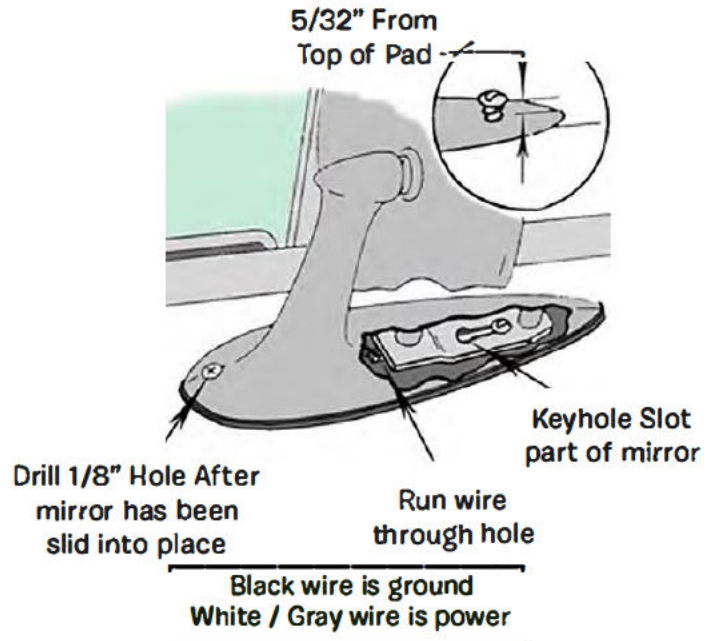


When installing Mirrors on Passenger Side you may want moved it back approximately 1" for clear visibility see Option Mirror Template Diagram below

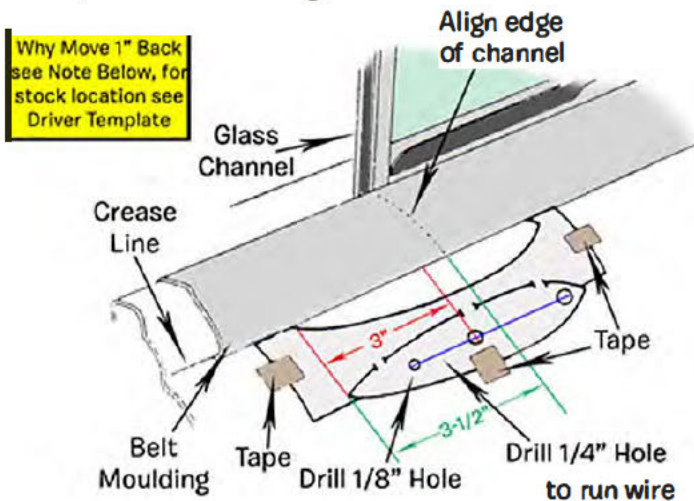
### Mirror Template Driver Side



### Mirror Installation



### Optional Mirror Template Passenger Side



**On Passenger Side Mirror Only**  
Location of template is shown moved back 1" to get a clear view of Mirror Head. This was noted in Fisher News Letters. It is best to adjust position mirror when the Driver seated in Seat.