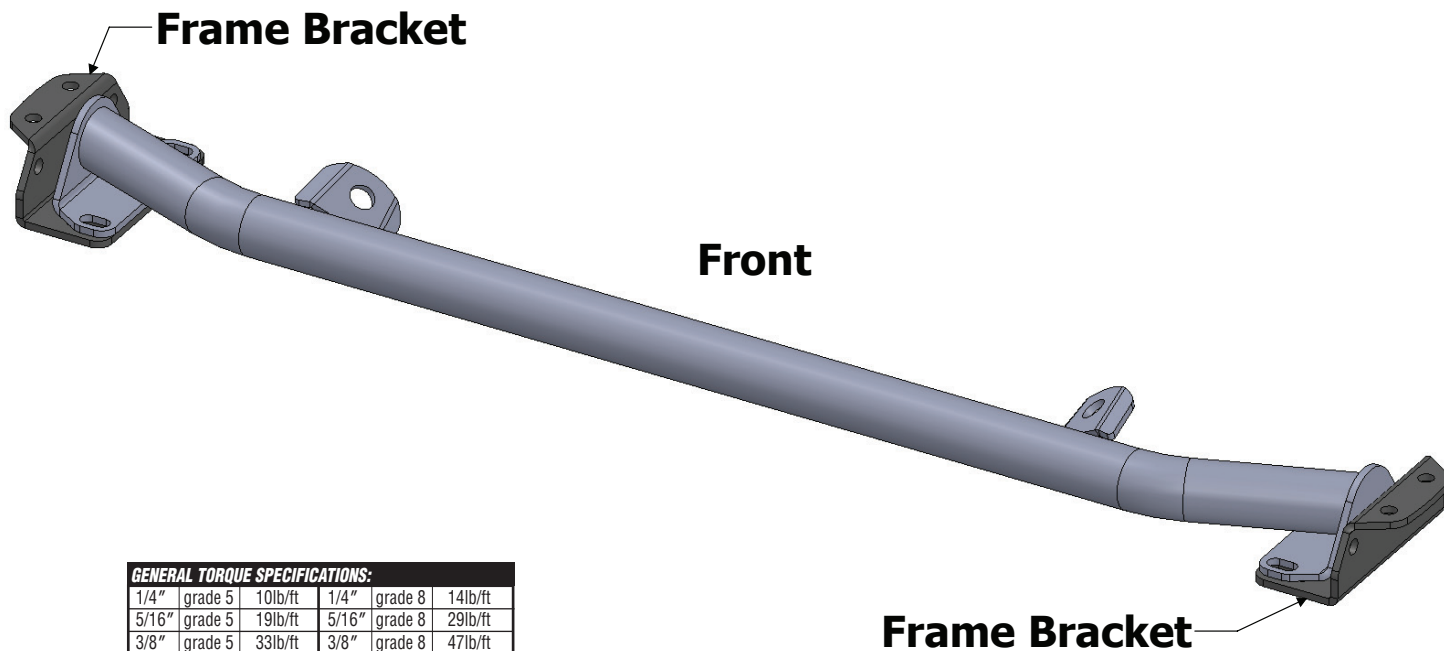


# #CP90158 - Installation Instructions

## for 1955-57 Fullsize Rear Shock Crossmember (Seamed or Seamless Frame)

### Instructions:

1. Loosely attach the frame brackets to each end of the crossmember, use the regular 3/8 nuts, bolts, and washers. Refer to the illustration as needed.
  2. Position the frame brackets against the frame. The top flange should be resting on the top of the frame, and the brackets should be tight against the inside portion of the frame. Make sure the crossmember is square to the frame and the shock mounts are in the correct position.
  3. Using the mounting brackets as a guide, mark the location of the mounting holes. Move any fuel lines, brake lines, wiring, or other items that may become damaged before drilling the mounting holes. Using a 5/16" drill bit drill the mounting holes into the frame.
  4. Using the 3/8-16 thread forming bolts, bolt the mounting brackets to the frame.
- Tighten the bolts securing the crossmember to the mounting brackets.



**GENERAL TORQUE SPECIFICATIONS:**

1/4"	grade 5	10lb/ft	1/4"	grade 8	14lb/ft
5/16"	grade 5	19lb/ft	5/16"	grade 8	29lb/ft
3/8"	grade 5	33lb/ft	3/8"	grade 8	47lb/ft
7/16"	grade 5	54lb/ft	7/16"	grade 8	78lb/ft
1/2"	grade 5	78lb/ft	1/2"	grade 8	119lb/ft
9/16"	grade 5	114lb/ft	9/16"	grade 8	169lb/ft
5/8"	grade 5	154lb/ft	5/8"	grade 8	230lb/ft

*NOTE: With 18" and larger wheels we recommend 1/2" wheel studs. The larger the wheel diameter, the greater the force is on the wheel studs. Please inquire about replacement wheel stud kits available from CPP.*

© Classic Performance Products, Inc. 2013  
All rights reserved. This document may not be reproduced without prior written permission of CPP.