



**Danchuk #**  
**18463-18464-18465**  
**Instructions**

**EDELBROCK FUEL PRESSURE REGULATOR**  
**Catalog #1778, 174131, 174132, 174133**  
**INSTALLATION INSTRUCTIONS**

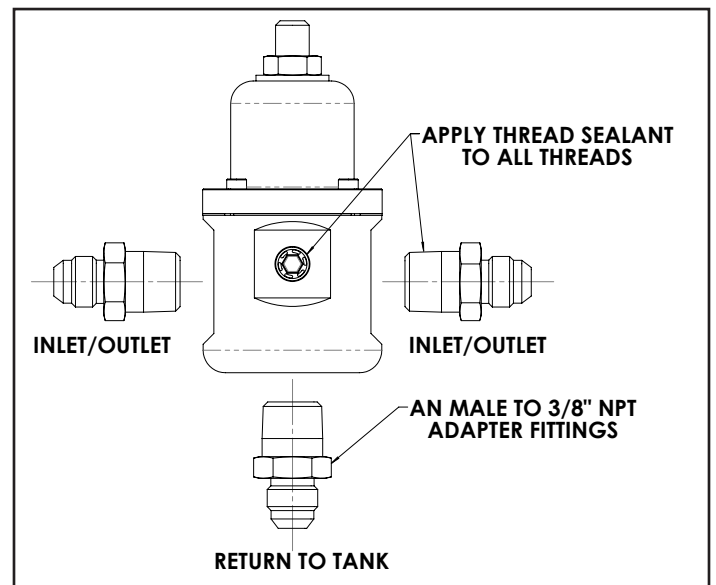
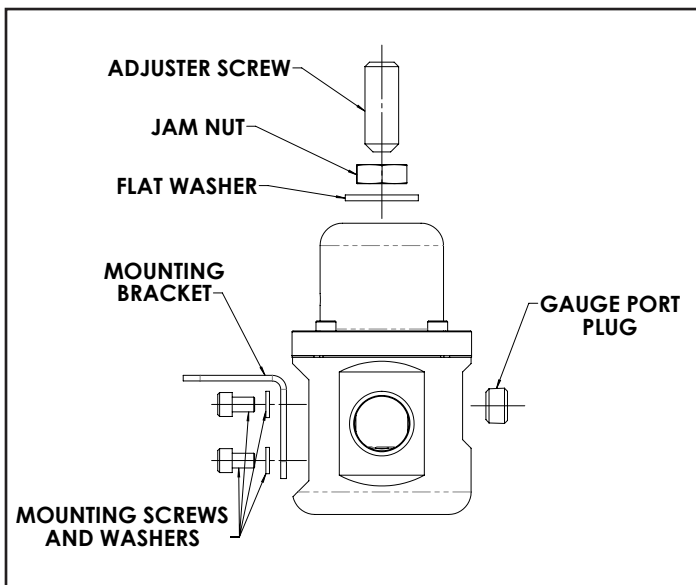
**PLEASE** study these instructions completely and thoroughly before installing your new Edelbrock Fuel Pressure Regulator. If you have any questions or problems, contact our **Technical Hotline at: 1-800-416-8628**, 7 am - 5 pm Monday-Friday, Pacific Standard Time.

**WARNING!**

*Prior to starting the installation, make sure to eliminate all potential fire hazards as fuel leakage can occur when loosening the fuel system connections and components.*

**CAUTION!** Installation of this product should be performed by those persons knowledgeable in the repair and modification of automotive fuel systems. Proper installation is the responsibility of the installer. Improper installation will void the manufacturer's warranty and may result in poor performance and engine or vehicle damage. **Do not loosen the fuel system connections until relieving pressure** as recommended in your automotive service manual.

1. With the ignition "off" and engine cool, relieve the fuel system pressure.
2. Remove the fuel line, carburetor side.
3. Determine the new regulator mounting location. Replace existing fuel lines as necessary for proper fitment. Mark and drill mounting bracket holes using the bracket as a template.
5. Install the fittings (**Fuel fittings NOT included**) as shown below. Coat the threads of the fitting with thread sealer (not supplied).
6. Assemble the bracket and regulator.
7. Install the regulator and bracket assembly in the desired location.
8. Connect and tighten fuel lines to the inlet and outlet, as seen below.
9. Install the plug (supplied) or connect a fuel pressure gauge to the gauge port using a 1/8-27 NPT male thread and thread sealer (not supplied).
10. **Check for leaks:** Start engine and check all connections for leaks. If any leaks exist, immediately turn key off and repair before continuing.
11. Start the engine, loosen the jam nut on the top of the regulator, and turn the adjusting screw until the desired fuel pressure is obtained. Tighten the jam nut and re-check the pressure.



**Edelbrock LLC • 2700 California St. • Torrance, CA 90503**  
**Tech-Line: (800) 416-8628**