

INSTALLATION INSTRUCTIONS:

WIRE COLOR	CIRCUIT
DARK GREEN	HORN POWER
TAN	RADIO POWER
ORANGE	HEAT / AC FEED
WHITE	WIPER POWER FEED

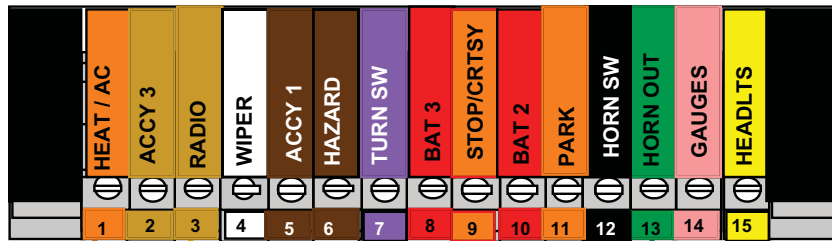
INSTALLATION

Connect this wire to the "HORN OUT" location on the panel. Route the other end to your horn.

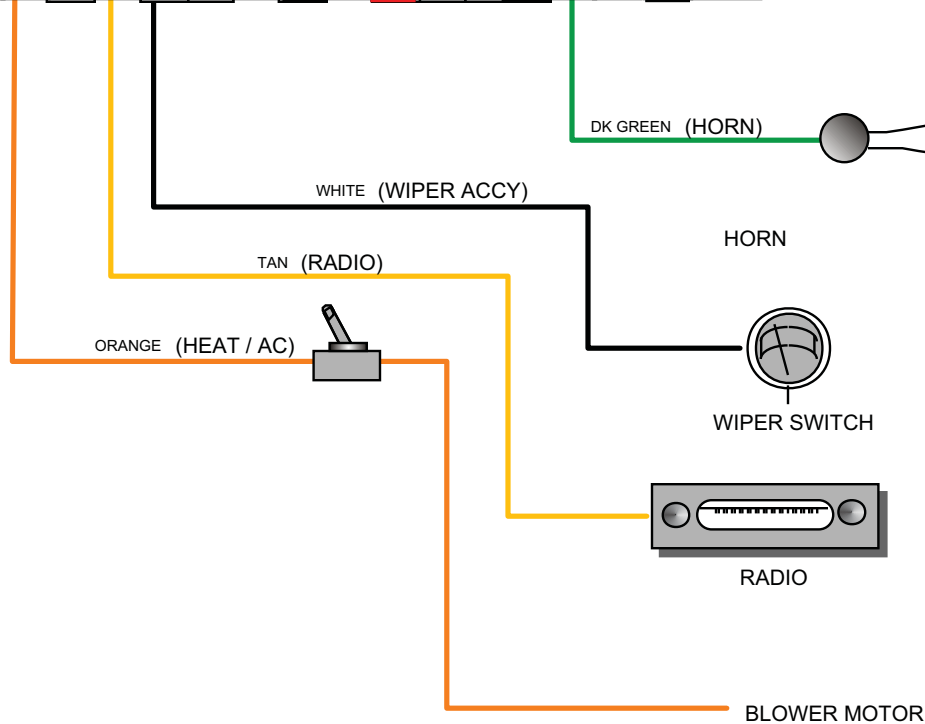
Connect this wire to the "RADIO" location on the panel. Route the other end to your radio.

Connect this wire to the "HEAT / AC" location on the panel. Route the other end to your heater / ac switch. This is the accessory power feed for the heater / ac switch, and blower.

Connect this wire to the "WIPER" location on the panel. Route the other end to feed your wiper switch or motor. See wiper manufacturer instructions for connection.



PANEL CONNECTION BLOCK



another wiring product by...



**American
Autowire**

We Make Wiring Easy!!

150 Heller Pl #17 W Bellmawr, NJ 08031 856-933-9301

PART #

500354

F

DESCRIPTION:

ACCESSORY WIRE KIT

92964923 instruction sheet

Rev 4.0

4/15/2009