



TECH MANUAL

MEASURING FOR WHEEL AND TIRE TO BODY CLEARANCE

FRONT WHEEL SECTION

	Driver Side	Passenger Side
A Mounting surface to first obstruction frame side*	_____	_____
B Mounting surface to inside fender	_____	_____
C Hub Diameter	_____	_____
D Brake Diameter: Center to top of caliper x 2	_____	_____
E Protrusion of caliper past mounting surface	_____	_____
F Hub Length	_____	_____

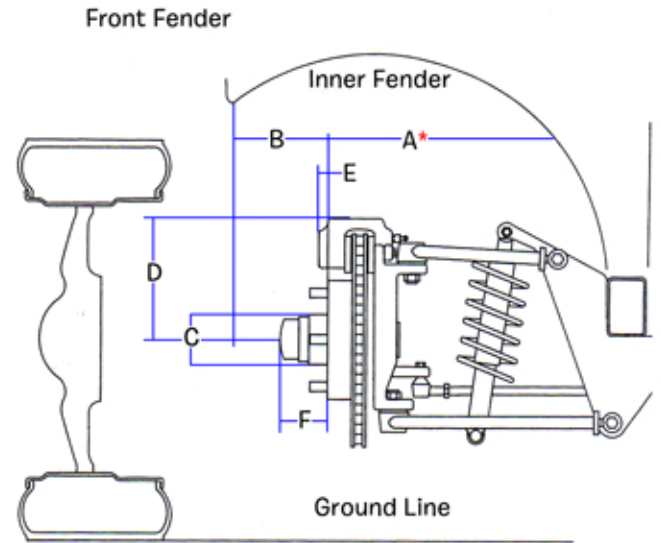
Measurement "E" does not apply to vehicles with drum brakes.

Fender Height from Center of Hub _____

Current Wheel Size _____ Backspace _____

Bolt Pattern _____

Current Tire Size _____



* First obstruction that wheel and tire come in contact with.

Never Measure just one side of vehicle and assume they are identical. Body to frame and fender sheet metal not always the same.

REAR WHEEL SECTION

	Driver Side	Passenger Side
A Mounting surface to first obstruction frame side*	_____	_____
B Mounting surface to inside fender	_____	_____
C Hub Diameter	_____	_____
D Brake Diameter: Center to top of caliper x 2	_____	_____
E Protrusion of caliper past mounting surface	_____	_____

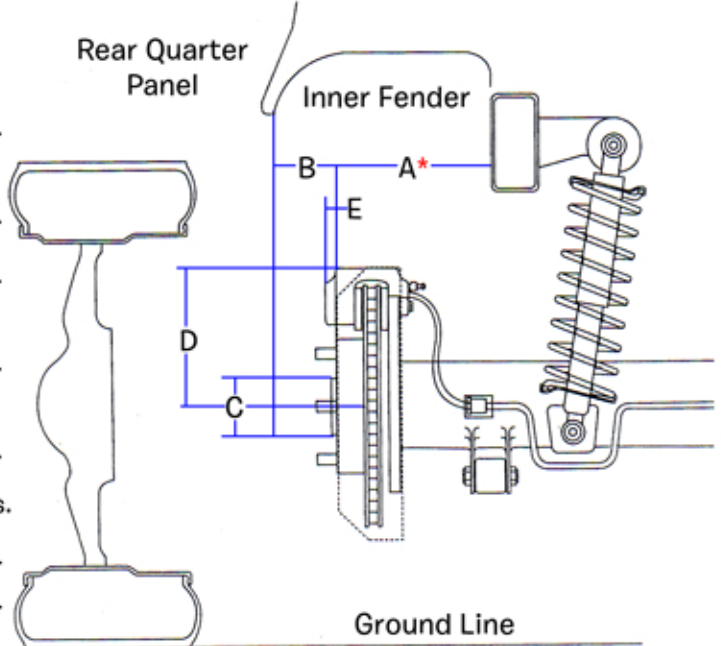
Measurement "E" does not apply to vehicles with drum brakes.

Fender Height from Center of Hub _____

Current Wheel Size _____ Backspace _____

Bolt Pattern _____

Current Tire Size _____



* First obstruction that wheel and tire come in contact with.

MEASURING TIPS:

Jack vehicle up on level ground & support vehicle with jack stands under A-Arms and Rear Axle, Suspension must be compress to get ride height measurements. Use rigid straight edge at least 30" long for best results.

All Models

Danchuk Tech Manual 55	
Section 10	Sheet 4.00